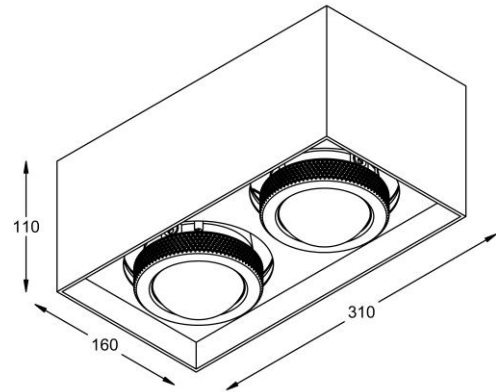




Zzoom surface double



Material	Aluminium/staal
lightsource	COB LED
Led type	Bridgelux Vesta of Bridglux V SERIES
Color temperature	Dim to Warm, 2700K,3000K,4000K
CRI	>90
placement	Ceiling surface mounted
Light direction	down
Optics	2x lens
Indoor/outdoor	indoor
Beam angle	Measured: 20° tot 84° adjustable with Zzoom ring
Adjustability	360 degrees
Driver	Phase cut included (other types on request)
Ingangsspanning	230V
Power consumed	14,5W
Colors	Black, white
Dimensions	310x160x130
IP class	IP20
Beam	Soft beam through diffuser, taking out the diffuser will give a sharp beam.

Zzoom surface double 2700K black (phase cut)	A-0105-20B-L2B
Zzoom surface double 3000K black (phase cut)	A-0105-20B-L3B
Zzoom surface double 4000K black (phase cut)	A-0105-20B-L4B
Zzoom surface double dim to warm black (phase cut)	A-0105-20B-L5B
Zzoom surface double 2700K white (phase cut)	A-0105-20W-L2B
Zzoom surface double 3000K white (phase cut)	A-0105-20W-L3B
Zzoom surface double 4000K white (phase cut)	A-0105-20W-L4B
Zzoom surface double dim to warm white (phase cut)	A-0105-20W-L5B

Colors and materials as visible on the images may differ slightly from reality.
Any typing errors in the text and interim changes to the collections or specifications are all subject to change



Zzoom surface double

Values per light source

2700K Ra 90

Driver output (mA)	350	500
Forward voltage	31	31,9
Lumen output	1380	1911
Efficiency lm/W	142	134
Watt (led)	10,9	16

3000K Ra 90

Driver output (mA)	350	500
Forward voltage	31	31.9
Lumen output	1448	2005
efficiency	149	141
Watt (led)	10,9	16

4000K Ra 90

Driver output (mA)	350	500
Forward voltage	31	31.9
Lumen output	1464	2026
efficiency	150	142
Watt (led)	10,9	16

Dim to warm

Driver output (mA)	350	
Forward voltage	33,8	
Lumen output	1313	
efficiency	111	
Watt (led)	11,8	