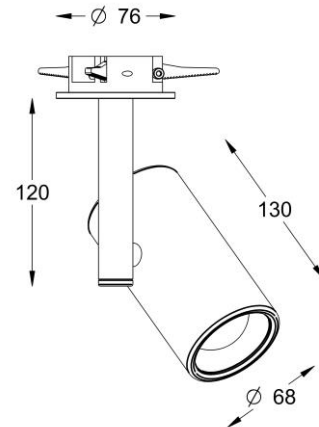




## Grip Solo recessed op ceiling adapter



Material	Aluminum
lightsource	COB LED
Led type	Bridgelux Vesta of Bridgelux V SERIES
Color temperature	Dim to Warm, 2700K,3000K,4000K
CRI	>90
placement	Ceiling with recessed adapter
Hole size	Between $\varnothing 60$ en $\varnothing 70$ mm
Light direction	Down/adjustable
Optics	1x lens
Indoor/outdoor	Indoor
Beam angle	measured: 17° tot 62° adjustable through knob on rear
Adjustability	360 graden
Driver	External, not included (placement on ceiling etc)
Ingangsspanning	See chart with different led types
Power consumed	Depends on driver
Colors	Black, Brass, Gold
Dimensions	130x68mm
IP class	IP20
Beam	Soft beam through diffuser, taking out the diffuser will give a sharp beam.



## Grip Solo recessed op ceiling adapter

---

### 2700K Ra 90

Driver output (mA)	350	500
Forward voltage	31	31,9
Lumen output	1380	1911
Efficiency lm/W	142	134
Watt (led)	10,9	16

### 3000K Ra 90

Driver output (mA)	350	500
Forward voltage	31	31.9
Lumen output	1448	2005
efficiency	149	141
Watt (led)	10,9	16

### 4000K Ra 90

Driver output (mA)	350	500
Forward voltage	31	31.9
Lumen output	1464	2026
efficiency	150	142
Watt (led)	10,9	16

### Dim to warm

Driver output (mA)	350	
Forward voltage	33,8	
Lumen output	1313	
efficiency	111	
Watt (led)	11,8	



## Grip Solo recessed op ceiling adapter

---

Description	Item code
Grip Solo recessed flange black 2700K	A-1201-10B-L2B
Grip Solo recessed flange black 3000K	A-1201-10B-L3B
Grip Solo recessed flange black 4000K	A-1201-10B-L4B
Grip Solo recessed flange black dim to warm	A-1201-10B-L5B
Grip Solo recessed flange Brass-plated 2700K	A-1201-10D-L2B
Grip Solo recessed flange Brass-plated 3000K	A-1201-10D-L3B
Grip Solo recessed flange Brass-plated 4000K	A-1201-10D-L4B
Grip Solo recessed flange Brass-plated dim to warm	A-1201-10D-L5B