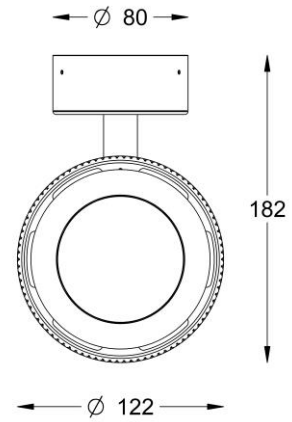
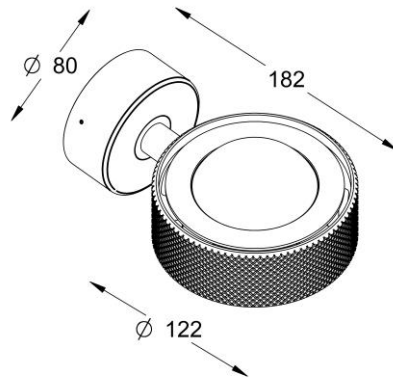




Orb wall



Material	Aluminum/glass
lightsource	2x COB LED
Led type	Bridgelux Vesta of Bridgelux V SERIES
Color temperature	Dim to Warm, 2700K,3000K,4000K
CRI	>90
placement	Wall
Hole size	Between $\varnothing 60$ en $\varnothing 70$ mm
Light direction	Up / down
Optics	2x lens
Indoor/outdoor	Indoor
Beam angle	measured: 75° (up and down)
Adjustability	360 graden
Driver	Integrated in mount, phase cut dimmable 500mA (other driver types have to be installed externally)
voltage	230V
Power consumed	21W
Colors	Black, Brass, Gold
Dimensions	$\varnothing 122$ x 182mm
IP class	IP20
Beam	Soft beam through diffusers, taking out the diffusers will give a sharp beam.



Orb wall

Values below are for each Led

2700K Ra 90

Driver output (mA)	250
Forward voltage	30,4
Lumen output Led	1008
Efficiency lm/W	147
Watt (led)	7,6

3000K Ra 90

Driver output (mA)	250
Forward voltage	30,4
Lumen output Led	1058
Efficiency lm/W	154
Watt (led)	7,6

4000K Ra 90

Driver output (mA)	250
Forward voltage	30,4
Lumen output Led	1069
Efficiency lm/W	150
Watt (led)	7,6

Dim to warm

Driver output (mA)	250
Forward voltage	31,7
Lumen output Led	900
Efficiency lm/W	113
Watt (led)	8,3



Orb wall

Description	Item code
Orb black 2700k (dimmable driver included)	A-1100-10B-L2X
Orb black 3000k (dimmable driver included)	A-1100-10B-L3X
Orb black 4000k (dimmable driver included)	A-1100-10B-L4X
Orb black dim to warm (dimmable driver included)	A-1100-10B-L5X
Orb gold 2700K (dimmable driver included)	A-1100-10E-L2X
Orb gold 3000K (dimmable driver included)	A-1100-10E-L3X
Orb gold 4000K (dimmable driver included)	A-1100-10E-L4X
Orb gold dim to warm (dimmable driver included)	A-1100-10E-L5X
Orb Brass-plated 2700K (dimmable driver included)	A-1100-10D-L2X
Orb Brass-plated 3000K (dimmable driver included)	A-1100-10D-L3X
Orb Brass-plated 4000K (dimmable driver included)	A-1100-10D-L4X
Orb Brass-plated dim to warm (dimmable driver included)	A-1100-10D-L5X