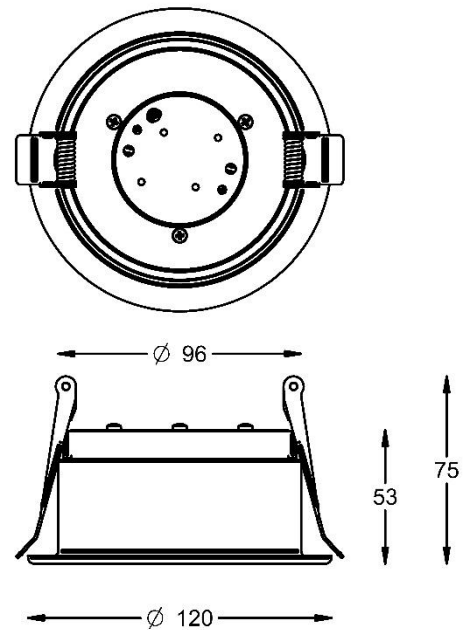




Zzoom S round



Material	Aluminum
lightsource	COB LED
Led type	Bridgelux Vesta of Bridgelux V SERIES
Color temperature	Dim to Warm, 2700K,3000K,4000K
CRI	>90
placement	Ceiling recessed
Diameter	Ø120mm
Hole diameter	Ø100mm
Light direction	Down
Optics	Reflector or lens
Indoor/outdoor	Indoor
Beam angle	Measured: 20° tot 84° Verstelbaar met Zzoom ring
Adjustability	fixced
Driver	Not included
Forward voltage	31V-33,8V
Power consumed	Depends on driver
Colors	Black, zzoom ring available in differten colors (black, brass, gold)
Dimensions	Ø120x75mm
IP class	IP20, IP44 available
Beam	Soft beam through diffuser, taking out the diffuser will give a sharp beam.

Colors and materials as visible on the images may differ slightly from reality.

Any typing errors in the text and interim changes to the collections or specifications are all subject to change



Zzoom S round

Values for different led types:

2700K Ra 90

Driver output (mA)	350
Forward voltage	31
Lumen output	1380
Efficiency lm/W	142
Watt (led)	10,9

3000K Ra 90

Driver output (mA)	350
Forward voltage	31
Lumen output	1448
efficiency	149
Watt (led)	10,9

4000K Ra 90

Driver output (mA)	350
Forward voltage	31
Lumen output	1464
efficiency	150
Watt (led)	10,9

Dim to warm

Driver output (mA)	350
Forward voltage	33,8
Lumen output	1313
efficiency	111
Watt (led)	11,8

Description	Item code
Zzoom S round recessed 2700K black	A-0110-10B-L2B
Zzoom S round recessed 3000K black	A-0110-10B-L3B
Zzoom S round recessed 4000K black	A-0110-10B-L4B
Zzoom S round recessed dim to warm black	A-0110-10B-L5B
Zzoom S round recessed 2700K white	A-0110-10W-L2B
Zzoom S round recessed 3000K white	A-0110-10W-L3B
Zzoom S round recessed 4000K white	A-0110-10W-L4B
Zzoom S round recessed dim to warm white	A-0110-10W-L5B

Colors and materials as visible on the images may differ slightly from reality.

Any typing errors in the text and interim changes to the collections or specifications are all subject to change



Zzoom S round



Colors and materials as visible on the images may differ slightly from reality.
Any typing errors in the text and interim changes to the collections or specifications are all subject to change