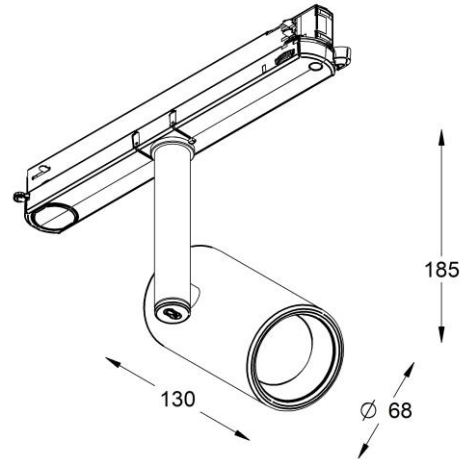




Grip Track



Material	Aluminum
lightsource	COB LED
Led type	Bridgelux Vesta of Bridgelux V SERIES
Color temperature	Dim to Warm, 2700K,3000K,4000K
CRI	>90
placement	On 3-phase track
Light direction	Down/adjustable
Optics	1x lens
Indoor/outdoor	Indoor
Beam angle	measured: 17° tot 62° adjustable through knob on rear
Adjustability	360 graden
Driver	Track driver included
Voltage	230V
Power consumed	14W (350mA), 20,5W (500mA)
Colors	Black, Brass, Gold
Dimensions	130x68mm
IP class	IP20
Beam	Soft beam through diffuser, taking out the diffuser will give a sharp beam.



2700K Ra 90

Driver output (mA)	350	500
Forward voltage	31	31,9
Lumen output	1380	1911
Efficiency lm/W	142	134
Watt (led)	10,9	16

3000K Ra 90

Driver output (mA)	350	500
Forward voltage	31	31.9
Lumen output	1448	2005
efficiency	149	141
Watt (led)	10,9	16

4000K Ra 90

Driver output (mA)	350	500
Forward voltage	31	31.9
Lumen output	1464	2026
efficiency	150	142
Watt (led)	10,9	16

Dim to warm

Driver output (mA)	350	
Forward voltage	33,8	
Lumen output	1313	
efficiency	111	
Watt (led)	11,8	



Grip Track

Description	Item code
Grip track Black 2700K (phase cut)	A-1200-1UB-L2B
Grip track Black 3000K (phase cut)	A-1200-1UB-L3B
Grip track Black 4000K (phase cut)	A-1200-1UB-L4B
Grip track Black dim to warm (phase cut)	A-1200-1UB-L5B
<hr/>	
Grip track Gold 2700K (phase cut)	A-1200-1UE-L2B
Grip track Gold 3000K (phase cut)	A-1200-1UE-L3B
Grip track Gold 4000K (phase cut)	A-1200-1UE-L4B
Grip track Gold dim to warm (phase cut)	A-1200-1UE-L5B
<hr/>	
Grip track Brass-plated 2700K (phase cut)	A-1200-1UD-L2B
Grip track Brass-plated 3000K (phase cut)	A-1200-1UD-L3B
Grip track Brass-plated 4000K (phase cut)	A-1200-1UD-L4B
Grip track Brass-plated dim to warm (phase cut)	A-1200-1UD-L5B
<hr/>	
Grip track Black 2700K (Dali)	A-1200-1VB-L2B
Grip track Black 3000K (Dali)	A-1200-1VB-L3B
Grip track Black 4000K (Dali)	A-1200-1VB-L4B
Grip track Black dim to warm (Dali)	A-1200-1VB-L5B
<hr/>	
Grip track Gold 2700K (Dali)	A-1200-1VE-L2B
Grip track Gold 3000K (Dali)	A-1200-1VE-L3B
Grip track Gold 4000K (Dali)	A-1200-1VE-L4B
Grip track Gold dim to warm (Dali)	A-1200-1VE-L5B
<hr/>	
Grip track Brass-plated 2700K (Dali)	A-1200-1VD-L2B
Grip track Brass-plated 3000K (Dali)	A-1200-1VD-L3B
Grip track Brass-plated 4000K (Dali)	A-1200-1VD-L4B
Grip track Brass-plated dim to warm (Dali)	A-1200-1VD-L5B
<hr/>	
Grip track Black 2700K (Casambi)	A-1200-1WB-L2B
Grip track Black 3000K (Casambi)	A-1200-1WB-L3B
Grip track Black 4000K (Casambi)	A-1200-1WB-L4B
Grip track Black dim to warm (Casambi)	A-1200-1WB-L5B
<hr/>	
Grip track Gold 2700K (Casambi)	A-1200-1WE-L2B
Grip track Gold 3000K (Casambi)	A-1200-1WE-L3B
Grip track Gold 4000K (Casambi)	A-1200-1WE-L4B
Grip track Gold dim to warm (Casambi)	A-1200-1WE-L5B

Colors and materials as visible on the images may differ slightly from reality.
Any typing errors in the text and interim changes to the collections or specifications are all subject to change



Grip Track

Grip track Brass-plated 2700K (Casambi)	A-1200-1WD-L2B
Grip track Brass-plated 3000K (Casambi)	A-1200-1WD-L3B
Grip track Brass-plated 4000K (Casambi)	A-1200-1WD-L4B
Grip track Brass-plated dim to warm (Casambi)	A-1200-1WD-L5B